



KEY FEATURES

- (1152) 1.5W RGB LED's in 24 Zones
- (432) 5W CW Strobe LED's in 48 Zones
- (96) 1.5W RGB StrobeLine LED's in 12 Zones
- Unique Array Interconnection System
- Art-Net, sACN and KlingNet Support
- IP65 Rated

Merge explosive strobe power and visual creativity with the **PULSE PANEL**! Yet another offering in the innovative Pulse line of strobe lights, the PULSE PANEL adds a burst of dynamism and inspiration to any show!

Designers have asked for effect lights that are more than a one-trick pony and the **PULSE PANEL** delivers with multi-functionality as a powerful strobe, bright blinder, high-output wash light or creative eye candy effect all in one.

The **PULSE PANEL** features the same LED layout found on the Pulse Panel FX. 1,152 1.5W RGB LEDs spread across 24 zones around its perimeter, arranged in a grid of 6 zones wide and 4 zones tall. In addition to this, it includes a central strobe line comprising 288 5W cool-white LEDs organized into 24 zones, with 12 zones across and 2 zones tall. These are separated by a line of 96 1.5W RGB LEDs divided into 12 zones. Furthermore, there are 144 additional 5W cool-white LEDs divided into 24 zones, with 12 zones at the top and 12 at the bottom of the fixture's face. These outer LEDs utilize a linear prismatic lens similar to those used in our Rayzor Blade fixtures. When combined, these components deliver an astonishing output exceeding 100,000 total lumens.

PULSE PANEL also includes a library of customizable RGB and CW strobe effects along with variable dimming modes and curves for quick programming. The **PULSE PANEL** offers the ability to mirror control of the external strobe lines and center RGB strobe line via DMX control channel, or the menu to make cloning easier.

The **PULSE PANEL** is encased in a durable, fully IP65-rated housing, making it suitable for any environment, indoors or outdoors. The housing includes a unique interlocking mechanism to allow the unit to be hung vertically, or horizontally from other PULSE PANEL fixtures, or SÖL Blinder Frame arrays as well. The unit also integrates airline track on the top and bottom. The housing can accept optional diffusion filters, ND filters and other optics.

Controlled via DMX, RDM, Art-Net, sACN, and KlingNet protocols. It also features proprietary Aria x2 wireless device management for simplified system setup and maintenance.



SOURCE

(1248) 1.5W RGB LEDs

(432) 5W CW Strobe LEDs

50,000 Hour Average LED Life*

*Test lab conditions. May vary depending on several factors including but not limited to: Environmental Conditions, Power/Voltage, Usage Patterns (On-Off Cycling), Control, and Dimming.

PHOTOMETRIC DATA

Total Lumen Output:

All LED: >75,000 Lumens

CW LED: >100,000 Lumens

RGB LED: >40,000 Lumens

CRI: >70

Beam Angle: 68°

Field Angle: 112°

EFFECTS

48 Zones of RGB Plate LEDs (6 x 4)

48 Zones of CW Strobe LEDs (12 x 4)

12 Zones of RGB StrobeLine LED's (12 x 1)

1- 20Hz Strobe Rate

Library of Customizable RGB and CW Strobe Effects

Variable Dimming Modes and Curves

COLOR

RGB Color Array

CONTROL / CONNECTIONS

9 DMX Channel Modes (3ch, 12ch, 24ch, 47ch, 60ch, 170ch, 90ch, 180ch, 156ch)

4 Button Control Panel, LED Display

Aria x2 Wireless Device Management

RDM (Remote Device Management)

IP65 5pin XLR DMX In/Out

IP65 RJ45 Ethernet In/Out (Art-Net, sACN, KlingNet)

IP65 Locking Power Cable In

SIZE / WEIGHT

Length: 11.78 in (299.3mm)

Width: 16.53 in (420mm)

Height: 8.26 in (210mm)

Weight: 30.2 lbs. (13.7kg)

ELECTRICAL

AC 100-240V - 50/60Hz

Max Power Consumption 1600W

-4°F to 113°F (-20°C to 45°C)

BTU/hr (+/- 10%) 5456

INCLUDED ITEMS

Safety Cable

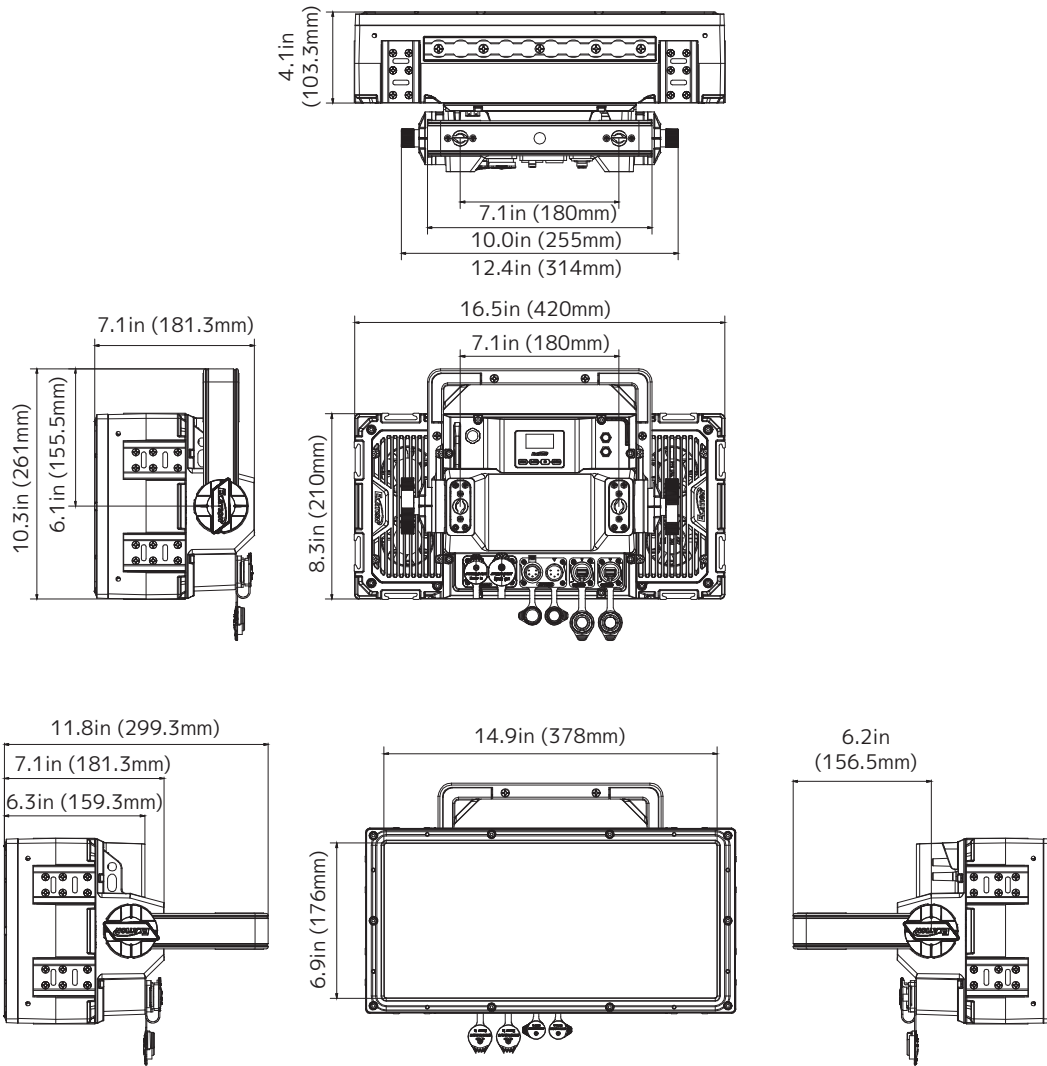
IP65 Locking Power Cable

Interconnect Key

APPROVALS / RATINGS

CE | cETLus(pend) | UL | IP65c | FCC | UKCA





ORDERING INFORMATION

PUL001	1237000343	PULSE PANEL
TRIGGER CLAMP	1741000032	Heavy Duty Wrap Around Hook Style Clamp
TOU027	PENDING	Tour Link 5pin, 10 FT., Tour Grade, DMX Data Cable